

## 一、特点 Main feature

- ① 流量压力稳定，无脉动，工作平稳、噪声小。
  - ② 具有较高自吸性能，不需要底阀及每次开机前灌油。
  - ③ 泵的效率、寿命长。
  - ④ 部件通用化、系列化，有底脚式、支架式、法兰式多种结构，可用于卧式、法兰式和立式安装。
- ① Screw pump has constant capability and pressure, smooth running, small vibration and low noise.
  - ② Screw pump has a very high suction capability, It needn't bottom valve and it needn't often breathe into oil before working.
  - ③ Screw pump has high efficiency long life.
  - ④ The unit assembly system every pump can be supplied as cartridge pump for foot-, flange or wall mounting, in pedestal-bracket-or flange design.



## 二、用途 Usage

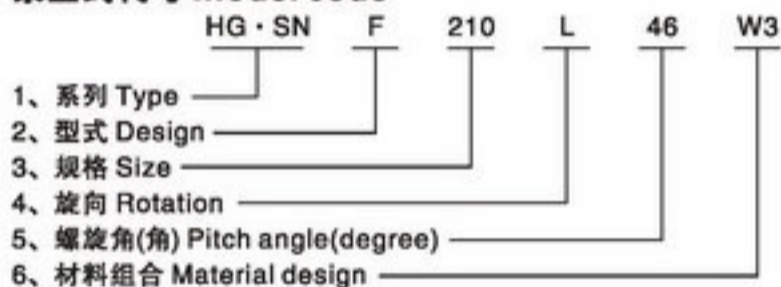
可输送各种不含固体颗粒、无腐蚀性的油类和具有润滑性的液体。如各种矿物油、动植物油、燃料油各种重油、柴油等。  
 For the handling of oil and medium with lubricating properties. As various mineral oil, animal and vegetable oil, fuel oil and various heavy oil, diesel oil, animal and vegetable oil, fuel oil and various heavy oil, diesel oil etc.

## 三、应用 Application

- ① 在供热设备中做燃油喷油，燃油供应和输送泵。
  - ② 在机械工业中用做液压，润滑油泵。
  - ③ 在化学石油化和食品工业中用做装载，输送和供液泵。
  - ④ 在船舶上用做输送、增压、燃油喷射和润滑泵以及船用液压泵。
- ① In heating techniques as fuel oil injection, fuel supply and transfer pumps.
  - ② In the engineering industry as hydraulic-, and telemotor pumps.
  - ③ In the chemical and food industry as cargo-, transfer or supply pumps.
  - ④ In the marine field as transfer-, booster-, fuel oil pumps as well for ship hydraulics.

## 四、HG · SN 系列三螺杆泵的型式代号 Model code of screw pump of HG · SN series

### 泵型式代号 Model code



### 1、型式 Design

符号 Code	结构说明 Description of design
H	卧式安装泵 Horizontal mounted pump
F	法兰安装泵 Flange mounted pump
S	立式安装泵 Vertical mounted pump
T	浸没式安装 Immersion installation

### 2、主杆旋向 Rotation

左旋: L                      Left rotation: L  
 右旋: 无标记              Right rotation: Without sign

## 3、常用材料组合 Material in common use

代码 Code	泵体 Casing	衬套 Insert	适用范围 Using range
W1	HT200	QT450-10	输送润滑性较差的液体，如燃油等 Used to pump the medium (such as fuel oil) with less lubricity
W2	HT200	HT200	输送润滑性较好的液体，如润滑油等 Used to pump the medium (such as lubricant oil) with better lubricity.
W3	QT450-10	QT450-10	特殊场合(如船用泵)输送润滑性好的液体，如润滑油等 Used in particular case (such as marine pump), to pump the medium with better lubricity.
W4	QT450-10	ZQSn6-6-3	特殊场合(如船用泵)输送润滑性差的液体，如燃油等 Used in particular case (such as marine pump), to pump the medium with less lubricity as fuel oil.

## 五、功能配备 Collocate of power

从性能表中选定泵的规格及相应粘度下的压力流量后，可以查到泵的轴功率，选定配套电机功率Nm时应有功率储备量。 $N_m \geq K \cdot N$  其参照下表。

With the characteristic table you can get the power of the selected pump N the power of the motor is  $N_m \geq K \cdot N$

N(kw)	$N \leq 5$	$5 < N \leq 10$	$10 < N \leq 50$	$50 < N \leq 100$	$N > 100$
K	1.5	1.25	1.2	1.15	1.1



六、性能参数表 characteristics

转速 Speed  $n=950r/min$

泵规格 Size	压力 (MPa) Delivery pressure	运动粘度 Viscosity $mm^2/s$													
		1		15		35		75		150		350		750	
		流量 L/min	轴功率 Kw	流量 L/min	轴功率 Kw	流量 L/min	轴功率 Kw	流量 L/min	轴功率 Kw	流量 L/min	轴功率 Kw	流量 L/min	轴功率 Kw	流量 L/min	轴功率 Kw
40-36	0.5	16.8	0.236	18.5	0.236	19.4	0.236	19.8	0.266	20.0	0.309	20.2	0.361	20.3	0.455
	1.0	13.6	0.480	16.7	0.408	18.4	0.408	19.0	0.438	19.4	0.481	19.8	0.533	20.0	0.627
	1.5	10.8	0.580	15.1	0.580	17.5	0.580	18.4	0.610	18.9	0.653	19.5	0.705	19.8	0.799
	2.0	8.02	0.752	13.6	0.752	16.7	0.752	17.8	0.782	18.5	0.825	19.2	0.877	19.6	0.971
	2.5	5.39	0.924	12.1	0.924	15.8	0.924	17.2	0.954	18.0	1.00	18.9	1.05	19.3	1.14
	3.0			10.7	1.10	15.0	1.10	16.6	1.13	17.6	1.17	18.6	1.22	19.1	1.32
	3.5			9.33	1.27	14.3	1.27	16.0	1.30	17.2	1.34	18.3	1.39	18.9	1.49
	4.0			7.97	1.44	13.5	1.44	15.4	1.47	16.7	1.51	18.0	1.56	18.7	1.66
40-46	0.5	22.2	0.294	24.5	0.294	25.9	0.294	26.4	0.324	26.6	0.367	26.9	0.418	27.1	0.513
	1.0	18.0	0.523	22.1	0.523	24.5	0.523	25.4	0.553	25.9	0.596	26.4	0.647	26.7	0.742
	1.5	14.1	0.752	19.9	0.752	23.3	0.752	24.6	0.782	25.3	0.825	26.0	0.877	26.4	0.971
	2.0	10.4	0.982	17.8	0.982	22.1	0.982	23.7	1.01	24.6	1.05	25.5	1.11	26.1	1.20
	2.5			15.8	1.21	21.0	1.21	22.9	1.24	24.0	1.28	25.1	1.34	25.8	1.43
	3.0			13.8	1.44	19.9	1.44	22.2	1.47	23.4	1.51	24.7	1.56	25.5	1.66
	3.5					18.8	1.67	21.4	1.70	22.9	1.74	24.3	1.79	25.2	1.89
	4.0					17.8	1.90	20.7	1.93	22.3	1.97	23.9	2.02	24.9	2.12
80-36	0.5	31.4	0.404	34.1	0.404	35.7	0.404	36.3	0.443	36.6	0.499	37.0	0.571	37.1	0.692
	1.0	26.4	0.718	31.3	0.718	34.1	0.718	35.2	0.757	35.8	0.812	36.4	0.885	36.7	1.01
	1.5	21.7	1.03	28.6	1.03	32.6	1.03	34.1	1.07	35.0	1.13	35.8	1.20	36.3	1.32
	2.0	17.3	1.35	26.1	1.35	31.2	1.35	33.2	1.38	34.2	1.44	35.3	1.51	35.9	1.63
	2.5	13.1	1.66	23.7	1.66	29.8	1.66	32.2	1.70	33.5	1.75	34.8	1.83	35.5	1.95
	3.0			21.4	1.97	28.5	1.97	31.3	2.01	32.8	2.07	34.4	2.14	35.1	2.26
	3.5			19.1	2.29	27.2	2.29	30.4	2.33	32.2	2.38	33.9	2.46	34.8	2.58
	4.0			16.9	2.60	26.0	2.60	29.5	2.64	31.5	2.70	33.4	2.77	34.4	2.89
80-46	0.5	45.1	0.538	48.9	0.538	51.0	0.538	51.8	0.576	52.3	0.632	52.7	0.705	52.9	0.825
	1.0	38.2	0.986	45.0	0.986	48.8	0.986	50.2	1.02	51.1	1.08	51.9	1.15	52.3	1.27
	1.5	31.8	1.43	41.4	1.43	46.8	1.43	48.8	1.47	50.1	1.53	51.2	1.60	51.7	1.72
	2.0	25.8	1.88	38.0	1.88	44.9	1.88	47.4	1.92	49.1	1.98	50.5	2.05	51.2	2.17
	2.5			34.8	2.33	43.0	2.33	46.1	2.37	48.1	2.42	49.8	2.50	50.7	2.62
	3.0			31.6	2.78	41.3	2.78	44.8	2.81	47.1	2.87	49.1	2.94	50.2	3.06
	3.5					39.5	3.22	43.6	3.26	46.2	3.32	48.5	3.39	49.7	3.51
	4.0					37.8	3.67	42.4	3.71	45.3	3.77	47.9	3.84	49.2	3.96
120-36	0.5	54.4	0.701	59.2	0.701	62.0	0.701	63.0	0.756	63.6	0.838	64.2	0.958	64.5	1.16
	1.0	45.5	1.25	54.2	1.25	59.2	1.25	61.0	1.30	62.1	1.38	63.2	1.50	63.7	1.71
	1.5	37.3	1.79	49.6	1.79	59.6	1.79	59.2	1.85	60.7	1.93	62.3	2.05	63.0	2.26
	2.0	29.5	2.34	45.1	2.34	54.2	2.34	57.4	2.39	59.4	2.48	61.4	2.60	62.3	2.80
	2.5			40.9	2.88	51.8	2.88	55.7	2.94	58.1	3.02	60.5	3.14	61.6	3.35
	3.0			36.8	3.43	49.5	3.43	54.1	3.49	56.9	3.57	59.7	3.69	60.9	3.89
	3.5			32.7	3.98	47.2	3.98	52.5	4.03	55.7	4.11	58.8	4.23	60.3	3.44
	4.0					45.0	4.52	50.9	4.58	54.5	4.66	58.0	4.78	59.7	4.99



转速 Speed n=950r/min

泵规格 Size	压力 (MPa) Delivery pressure	运动粘度 Viscosity mm <sup>2</sup> /s													
		1		15		35		75		150		350		750	
		流量 L/min	轴功率 Kw	流量 L/min	轴功率 Kw	流量 L/min	轴功率 Kw	流量 L/min	轴功率 Kw	流量 L/min	轴功率 Kw	流量 L/min	轴功率 Kw	流量 L/min	轴功率 Kw
120-46	0.5	66.2	0.799	71.0	0.799	73.8	0.799	74.8	0.855	75.4	0.936	76.0	1.06	76.3	1.26
	1.0	57.3	1.44	66.0	1.44	71.0	1.44	72.8	1.50	73.9	1.58	75.0	1.70	75.5	1.91
	1.5	49.1	2.09	61.4	2.09	68.4	2.09	71.0	2.14	72.5	2.22	74.1	2.34	74.8	2.55
	2.0	41.3	2.73	56.9	2.73	66.0	2.73	69.2	2.79	71.2	2.87	73.2	2.99	74.1	3.20
	2.5			52.7	3.38	63.6	3.38	67.5	3.43	69.9	3.51	72.3	3.63	73.4	3.84
	3.0			48.6	4.02	61.3	4.02	65.9	4.08	68.7	4.16	71.5	4.28	72.7	4.48
	3.5					59.0	4.66	64.3	4.72	67.4	4.80	70.6	4.92	72.1	5.13
	4.0					56.8	5.31	62.7	5.36	66.3	5.45	69.8	5.57	71.5	5.77
210-36	0.5	96.8	1.15	102	1.15	105	1.15	107	1.23	107	1.35	108	1.56	105	1.87
	1.0	86.7	2.06	96.6	2.06	102	2.06	104	2.14	106	2.27	107	2.47	107	2.79
	1.5	77.4	2.98	91.3	2.98	99.3	2.98	102	3.05	104	3.18	106	3.38	107	3.70
	2.0	68.5	3.89	86.3	3.89	96.4	3.89	100	3.96	103	4.09	105	4.30	106	4.61
	2.5	60.0	4.80	81.5	4.80	93.7	4.80	98.3	4.88	101	5.00	104	5.21	105	5.52
	3.0			76.8	5.71	91.1	5.71	96.4	5.79	100	5.91	103	6.12	104	6.43
	3.5			72.3	6.62	88.5	6.62	94.6	6.70	98.4	6.82	102	7.03	104	7.34
	4.0					86.0	7.63	92.8	7.61	97.1	7.74	101	7.94	103	8.26
210-46	0.5	120	1.39	128	1.39	132	1.39	134	1.46	135	1.59	136	1.79	136	2.11
	1.0	107	2.53	120	2.53	128	2.53	131	2.61	132	2.74	134	2.94	135	3.25
	1.5	93.8	3.68	113	3.68	124	3.68	128	3.76	130	3.88	133	4.09	134	4.40
	2.0	81.7	4.83	106	4.83	120	4.83	125	4.90	128	5.03	131	5.23	133	5.55
	2.5			100	5.97	116	5.97	123	6.05	126	6.17	130	6.38	132	6.69
	3.0			93.3	7.12	113	7.12	120	7.20	124	7.32	128	7.63	131	7.84
	3.5					109	8.27	118	8.34	123	8.47	127	8.67	130	8.99
	4.0					106	9.41	115	9.49	121	9.61	126	9.82	129	10.1
280-36	0.5	141	1.77	150	1.71	155	1.71	157	1.84	158	2.01	159	2.34	160	2.80
	1.0	124	3.06	141	3.06	150	3.06	153	3.19	156	3.36	157	3.69	159	4.15
	1.5	109	4.41	132	4.41	145	4.41	150	4.54	153	4.47	156	5.04	157	5.50
	2.0	94.2	5.76	124	5.76	141	5.76	147	5.88	150	6.06	154	6.39	156	6.58
	2.5			116	7.11	136	7.11	144	7.23	148	7.41	152	7.74	155	8.20
	3.0			108	8.46	132	8.46	140	8.58	146	8.76	151	9.09	153	9.55
	3.5			101	9.80	128	9.80	137	9.93	144	10.1	149	10.4	152	10.9
	4.0					123	11.2	135	11.3	141	11.5	148	11.8	141	12.2
280-46	0.5	163	1.89	172	1.89	177	1.89	179	2.02	180	2.19	181	2.52	182	2.98
	1.0	146	3.42	162	3.42	172	3.42	175	3.55	177	3.72	179	4.05	180	4.51
	1.5	131	4.95	154	4.95	167	4.95	172	5.08	175	5.25	177	5.58	179	6.04
	2.0	116	6.48	145	6.48	162	6.48	168	6.60	172	6.78	176	7.11	178	7.57
	2.5			137	8.01	158	8.01	165	8.13	170	8.31	174	8.64	176	9.10
	3.0			130	9.54	153	9.54	162	9.66	167	9.84	172	10.2	175	10.6
	3.5					149	11.1	159	11.2	165	11.4	171	11.7	174	12.3
	4.0					145	12.6	156	12.7	163	12.9	169	13.2	173	13.7



转速 Speed  $n=950r/min$

泵规格 Size	压力 (MPa) Delivery pressure	运动粘度 Viscosity $mm^2/s$													
		1		15		35		75		150		350		750	
		流量 L/min	轴功率 Kw	流量 L/min	轴功率 Kw	流量 L/min	轴功率 Kw	流量 L/min	轴功率 Kw	流量 L/min	轴功率 Kw	流量 L/min	轴功率 Kw	流量 L/min	轴功率 Kw
440-36	0.5	205	2.43	215	2.45	220	2.45	222	2.60	223	2.85	224	3.35	225	4.05
	1.0	188	4.31	205	4.30	215	4.30	218	4.50	220	4.75	222	5.23	223	5.92
	1.5	172	6.20	196	6.20	210	6.20	215	6.39	218	6.63	220	7.12	222	7.80
	2.0	157	8.09	188	8.10	205	8.10	211	8.28	215	8.52	219	9.00	221	9.70
	2.5	143	10.0	180	10.0	200	10.0	208	10.2	213	10.5	217	10.9	219	11.6
	3.0			172	11.9	196	11.9	205	12.1	210	12.3	215	12.8	218	13.5
	3.5			164	13.8	192	13.8	202	13.9	208	14.2	214	14.7	217	15.5
	4.0					187	15.6	199	15.8	206	16.1	212	16.5	216	17.3
440-46	0.5	260	2.95	273	2.95	280	2.95	283	3.15	285	3.37	286	3.87	287	4.56
	1.0	237	5.36	260	5.36	273	5.35	278	5.55	281	5.80	283	6.28	285	6.97
	1.5	215	7.78	248	7.78	266	7.78	273	7.97	277	8.20	281	8.69	283	9.39
	2.0	195	10.2	236	10.2	260	10.2	268	10.4	274	10.6	279	11.1	281	11.8
	2.5			225	12.6	253	12.6	264	12.8	270	13.0	276	13.5	280	14.2
	3.0			215	15.0	247	15.0	260	15.2	267	15.5	274	15.9	278	16.6
	3.5					241	17.4	256	17.5	264	17.9	272	18.3	276	19.0
	4.0					236	19.8	252	20.0	261	20.3	270	20.8	275	21.5
660-36	0.5	324	3.71	336	3.71	343	3.71	346	3.98	348	4.30	349	5.05	350	6.03
	1.0	301	6.65	324	6.65	336	6.65	341	6.92	344	7.25	346	7.99	348	8.97
	1.5	280	9.58	312	9.58	330	9.58	336	9.86	340	10.2	344	10.9	346	11.9
	2.0	260	12.5	300	12.5	323	12.5	332	12.8	337	13.0	342	13.9	344	14.8
	2.5			290	15.5	317	15.5	327	15.7	334	16.1	339	16.8	434	17.8
	3.0			279	18.4	311	18.4	323	18.7	330	19.0	337	19.7	341	20.7
	3.5			269	21.3	305	21.3	319	21.6	327	21.9	335	22.7	339	23.7
	4.0					300	24.3	315	24.5	324	24.9	333	25.6	338	26.6
660-46	0.5	393	4.38	410	4.38	420	4.38	424	4.65	426	4.98	428	5.72	429	6.70
	1.0	362	7.98	393	7.98	410	7.98	417	8.25	421	8.58	424	9.32	426	10.3
	1.5	333	11.6	377	11.6	401	11.6	410	11.9	416	12.2	421	12.9	424	13.9
	2.0			361	15.2	393	15.2	404	15.5	411	15.8	418	16.5	421	17.5
	2.5			346	18.6	384	18.8	398	19.1	406	19.5	415	20.1	419	21.1
	3.0					376	22.4	392	22.7	402	23.0	412	23.7	417	24.7
	3.5					368	26.0	387	26.3	398	26.6	409	27.3	414	28.3
	4.0					361	29.6	381	29.9	394	30.2	406	30.9	412	31.9
940-36	0.5	463	5.38	485	5.38	497	5.38	502	5.75	505	6.20	507	7.25	509	8.57
	1.0	422	9.66	462	9.66	484	9.66	493	10.0	498	10.5	502	11.5	505	12.8
	1.5	385	13.9	441	13.9	473	13.9	484	14.3	491	14.8	498	15.8	502	17.1
	2.0	350	18.2	421	18.2	461	18.2	477	18.6	485	19.0	494	20.1	499	21.5
	2.5			402	22.5	451	22.5	469	22.9	480	23.3	490	24.3	496	21.7
	3.0			383	26.8	440	26.8	462	27.1	474	27.6	486	28.6	493	29.9
	3.5					430	31.0	454	31.5	469	31.9	482	32.9	490	34.2
	4.0					420	35.5	447	35.7	463	36.0	479	37.2	487	38.5



转速 Speed n=950r/min

泵规格 Size	压力 (MPa) Delivery pressure	运动粘度 Viscosity mm <sup>2</sup> /s													
		1		15		35		75		150		350		750	
		流量 L/min	轴功率 Kw	流量 L/min	轴功率 Kw	流量 L/min	轴功率 Kw	流量 L/min	轴功率 Kw	流量 L/min	轴功率 Kw	流量 L/min	轴功率 Kw	流量 L/min	轴功率 Kw
940-46	0.5	566	6.5	588	6.25	600	6.25	605	6.60	607	7.06	610	8.10	611	9.42
	1.0	525	11.5	565	11.5	587	11.5	595	11.7	601	12.2	605	13.2	608	14.6
	1.5	488	16.5	544	16.5	575	16.5	587	16.9	594	17.3	601	18.4	605	19.7
	2.0			524	21.6	564	21.6	579	22.0	588	22.5	597	23.5	601	24.8
	2.5			505	26.8	554	26.8	572	27.1	583	27.6	593	28.6	598	30.0
	3.0					543	31.9	564	32.2	577	32.7	589	33.8	596	35.1
	3.5					533	37.0	557	37.4	571	37.9	585	38.9	593	40.2
	4.0					523	42.2	550	42.5	566	43.0	581	44.0	590	45.3
1300-36	0.5	562	6.58	582	6.58	593	6.58	598	7.12	600	7.66	603	9.17	604	10.9
	1.0	525	11.6	561	11.6	582	11.6	589	12.2	594	12.7	598	14.2	601	15.9
	1.5	490	16.7	542	16.7	571	16.7	582	17.3	588	17.8	594	19.3	598	21.0
	2.0	457	21.8	523	21.8	561	21.8	574	22.3	583	22.9	591	24.4	595	26.1
	2.5			506	26.8	551	26.8	567	27.4	577	27.9	587	29.4	592	31.1
	3.0			488	31.9	541	31.9	561	32.5	572	33.0	583	34.5	589	36.2
	3.5			472	37.0	532	37.0	554	37.5	567	38.1	580	39.6	587	41.3
	4.0					523	42.0	548	42.6	562	43.1	576	44.6	584	46.3
1300-46	0.5	782	8.56	810	8.56	825	8.56	831	9.09	834	9.65	838	11.2	840	12.8
	1.0	731	15.6	781	15.6	809	15.6	820	16.1	826	16.7	832	18.2	835	19.9
	1.5	684	22.6	755	22.6	794	22.6	809	23.2	818	23.7	826	25.2	831	26.9
	2.0			729	29.7	780	29.7	799	30.2	810	30.8	821	32.3	827	34.0
	2.5			705	36.7	767	36.7	790	37.3	803	37.8	916	39.3	823	41.0
	3.0					754	43.8	780	44.3	796	44.9	811	46.4	819	48.1
	3.5					741	50.8	771	51.4	789	51.9	807	53.4	816	55.1
	4.0					728	57.9	762	58.4	782	58.9	802	60.5	812	62.1
1700-36	0.5	895	10.2	929	10.2	948	10.2	956	10.8	960	11.5	964	13.5	966	15.7
	1.0	832	18.3	894	18.3	929	18.3	942	18.9	949	19.6	957	21.6	961	23.8
	1.5	774	26.5	861	26.5	910	26.5	929	27.0	939	27.7	950	29.7	955	31.9
	2.0	719	34.5	831	34.5	893	34.5	916	35.1	930	35.8	943	37.8	951	40.0
	2.5			801	42.6	873	42.6	905	43.2	921	43.9	937	45.9	946	48.1
	3.0			772	50.7	860	50.7	893	51.3	912	52.0	931	54.0	941	56.2
	3.5					845	58.8	882	59.4	904	60.1	925	62.1	937	64.4
	4.0					829	66.9	871	67.5	896	68.2	920	70.2	933	72.5
1700-46	0.5	1049	11.4	1083	11.5	1102	11.4	1109	12.1	1114	12.7	1118	14.28	1120	17.0
	1.0	986	20.8	1048	20.8	1083	20.8	1095	21.5	1103	22.1	1110	24.1	1114	26.4
	1.5	928	30.2	1015	30.2	1064	30.2	1083	30.9	1093	31.5	1104	33.5	1109	35.8
	2.0			984	39.6	1047	39.6	1070	40.3	1084	40.9	1097	42.9	1105	45.2
	2.5			955	49.0	1030	49.0	1058	49.6	1075	50.3	1091	52.3	1100	54.6
	3.0					1014	58.4	1047	59.0	1066	59.7	1085	61.7	1095	63.9
	3.5					998	67.8	1036	68.4	1058	69.1	1079	71.1	1091	73.3
	4.0					983	77.2	1025	77.8	1050	78.5	1074	80.5	1087	82.7



转速 Speed n=950r/min

泵规格 Size	压力 (MPa) Delivery pressure	运动粘度 Viscosity mm <sup>2</sup> /s													
		1		15		35		75		150		350		750	
		流量 L/min	轴功率 Kw	流量 L/min	轴功率 Kw	流量 L/min	轴功率 Kw	流量 L/min	轴功率 Kw	流量 L/min	轴功率 Kw	流量 L/min	轴功率 Kw	流量 L/min	轴功率 Kw
2200-36	0.5	1171	13.3	1213	13.3	1236	13.3	1245	14.0	1250	14.8	1255	17.2	1257	20.0
	1.0	1096	23.8	1170	23.8	1212	23.8	1228	24.6	1237	25.4	1246	27.7	1251	30.6
	1.5	1026	34.4	1131	34.4	1190	34.5	1212	35.1	1225	35.9	1238	38.3	1245	41.1
	2.0	959	44.9	1093	44.9	1169	44.9	1197	45.7	1214	46.5	1230	48.8	1239	51.7
	2.5			1057	55.5	1149	55.5	1183	56.2	1203	57.0	1223	59.4	1233	62.2
	3.0			1023	66.0	1129	66.0	1169	66.8	1193	67.6	1215	69.9	1228	72.8
	3.5					1110	76.6	1156	77.3	1183	78.1	1208	80.5	1222	83.3
	4.0					1092	87.1	1143	87.9	1173	88.7	1201	91.0	1217	93.9
2200-46	0.5	1367	14.9	1408	14.9	1431	14.9	1440	15.7	1445	16.4	1450	18.8	1453	21.7
	1.0	1291	27.1	1365	27.1	1407	27.1	1432	27.8	1432	28.6	1441	31.0	1446	33.8
	1.5	1221	39.2	1326	39.2	1385	39.2	1408	40.0	1421	40.8	1433	43.2	1440	46.0
	2.0			1289	51.4	1365	51.5	1393	52.2	1409	53.0	1425	55.4	1434	58.2
	2.5			1253	63.6	1345	63.6	1378	64.5	1398	65.1	1418	67.5	1428	70.4
	3.0					1325	75.8	1365	76.7	1388	77.3	1411	79.7	1423	82.5
	3.5					1306	87.9	1351	88.7	1378	89.5	1404	91.9	1418	94.7
	4.0					1287	100	1338	101	1368	102	1397	104	1412	107
2900-40	0.5	1742	19.7	1799	19.7	1832	19.7	1845	20.8	1851	22.1	1859	26.0	1862	29.8
	1.0	1636	35.3	1740	35.3	1799	35.3	1821	36.5	1835	37.7	1847	41.7	1853	45.4
	1.5	1538	51.0	1685	51.0	1768	51.0	1799	52.0	1817	53.3	1835	57.3	1844	61.1
	2.0			1632	66.6	1739	66.6	1778	67.8	1801	68.9	1825	72.9	1836	76.7
	2.5			1582	82.2	1710	82.2	1758	83.3	1786	84.6	1815	88.5	1826	92.3
	3.0					1683	97.8	1739	98.9	1772	100	1805	104	1820	108
	3.5					1656	113	1720	114	1757	116	1795	120	1813	124
	4.0					1630	129	1702	130	1743	131	1785	135	1806	139
3600-46	0.5	2200	23.5	2258	23.6	2291	23.5	2303	24.6	2310	25.9	2317	29.9	2321	33.6
	1.0	2094	43.0	2198	43.0	2257	43.0	2279	44.1	2292	45.4	2305	49.3	2303	53.1
	1.5			2143	62.5	2227	62.5	2258	63.5	2276	64.8	2293	68.7	2295	72.5
	2.0			2091	82.0	2197	81.9	2237	82.9	2260	84.2	2282	88.2	2287	92.0
	2.5					2169	101	2217	102	2245	104	2272	108	2279	111
	3.0					2143	121	2198	122	2230	123	2262	127	2272	131
	3.5							2197	141	2216	143	2252	146	2264	150
	4.0									2202	162	2242	166	3486	170
5300-36	0.5	3325	36.8	3403	36.8	3446	36.8	3463	39.0	3472	41.2	3481	48.8	3474	56.0
	1.0	3184	66.0	3323	66.0	3402	66.0	3431	68.2	3448	70.4	3465	77.9	3474	85.2
	1.5			3249	95.1	3361	95.1	3402	87.3	3426	100	3450	107	3462	114
	2.0			3179	124	3322	124	3375	127	3405	129	3435	136	3451	144
	2.5					3284	154	3347	156	3385	158	3421	165	3441	173
	3.0					3247	183	3321	185	3365	187	3408	195	3430	202
	3.5							3295	214	3346	216	3394	224	3420	231
	4.0									3327	245	3381	253	3411	260



转速 Speed  $n=1450r/min$

泵规格 Size	压力 (MPa) Delivery pressure	运动粘度 Viscosity $mm^2/s$													
		1		15		35		75		150		350		750	
		流量 L/min	轴功率 Kw	流量 L/min	轴功率 Kw	流量 L/min	轴功率 Kw	流量 L/min	轴功率 Kw	流量 L/min	轴功率 Kw	流量 L/min	轴功率 Kw	流量 L/min	轴功率 Kw
40-36	0.5	27.6	0.412	29.3	0.42	30.3	0.412	30.6	0.482	30.8	0.60	31.1	0.71	31.2	0.92
	1.0	24.5	0.675	27.6	0.675	29.3	0.675	29.9	0.745	30.3	0.85	30.7	0.93	30.9	1.19
	1.5	21.6	0.937	26.0	0.937	28.5	0.937	29.2	1.01	29.8	1.11	30.4	1.23	30.7	1.45
	2.0	18.9	1.20	24.5	1.20	27.5	1.20	28.6	1.27	29.3	1.37	30.1	1.49	30.4	1.71
	2.5	16.2	1.46	23.0	1.46	26.7	1.46	28.0	1.53	28.9	1.63	29.8	1.75	30.2	1.97
	3.0	13.7	1.72	21.6	1.72	25.9	1.72	27.4	1.79	28.4	1.89	29.5	2.01	30.0	2.23
	3.5			20.2	1.99	25.1	1.99	26.9	2.06	28.0	2.16	29.2	2.28	29.8	2.50
	4.0			18.8	2.25	24.5	2.25	26.3	2.32	27.6	2.42	28.9	2.54	29.6	2.76
	4.5					24.0	2.57	25.8	2.76	27.0	3.47	28.3	4.24	29.0	4.98
	5.0					23.5	2.79	25.3	3.01	26.5	3.78	27.6	4.60	28.4	5.40
	5.5					23.0	3.01	24.8	3.25	26.0	4.08	27.1	4.97	27.8	5.82
6.0					22.6	3.23	24.3	3.47	25.4	4.35	26.6	5.32	27.2	6.22	
40-46	0.5	36.7	0.50	39.0	0.50	40.3	0.50	40.8	0.57	41.1	0.67	41.4	0.79	41.6	1.01
	1.0	32.5	0.85	36.6	0.85	39.0	0.85	39.9	0.92	40.4	1.02	40.9	1.14	41.2	1.36
	1.5	28.6	1.20	34.5	1.20	37.8	1.20	39.0	1.27	39.7	1.37	40.4	1.49	40.9	1.71
	2.0	24.6	1.55	32.3	1.55	36.6	1.55	38.2	1.62	39.1	1.72	40.0	1.85	40.6	2.06
	2.5	21.3	1.90	30.2	1.90	35.5	1.90	37.4	1.97	38.5	2.07	39.6	2.19	40.3	2.41
	3.0			28.3	2.25	34.4	2.25	36.7	2.32	37.9	2.42	39.2	2.55	40.0	2.76
	3.5			26.3	2.60	33.3	2.60	35.9	2.67	37.4	2.77	38.8	2.89	39.7	3.11
	4.0					32.3	2.95	35.2	3.02	36.8	3.12	38.4	3.25	39.4	3.46
80-36	0.5	51.2	0.70	53.9	0.70	55.5	0.89	56.1	0.78	56.4	0.91	56.8	1.08	56.9	1.36
	1.0	46.2	1.17	51.1	1.17	53.9	1.17	55.0	1.26	55.6	1.39	56.2	1.56	56.5	1.84
	1.5	51.6	1.65	48.5	1.65	52.4	1.65	54.0	1.74	54.8	1.87	55.7	2.04	56.1	2.32
	2.0	37.1	2.13	46.0	2.13	51.0	2.13	53.0	2.22	54.1	2.35	55.2	2.52	55.7	2.80
	2.5	32.9	2.61	43.6	2.61	49.7	2.61	52.1	2.70	53.4	2.85	54.7	3.00	55.3	3.28
	3.0	28.8	3.09	41.2	3.09	48.3	3.09	51.1	3.18	52.7	3.31	54.2	3.48	55.0	3.76
	3.5	24.7	3.56	38.9	3.56	47.1	3.56	50.2	3.65	52.0	3.78	53.7	3.95	54.6	4.23
	4.0			36.7	4.04	45.8	4.04	49.4	4.13	51.3	4.26	53.3	4.43	54.3	4.71
	4.5					45.3	4.85	49.0	5.25	50.8	6.53	52.8	7.92	53.8	9.22
	5.0					44.8	5.33	48.5	5.77	50.2	7.17	52.2	8.70	53.2	10.13
	5.5					44.2	5.79	48.0	6.28	49.6	7.79	51.7	9.47	52.7	11.04
6.0					43.5	6.21	47.2	6.74	49.0	8.4	51.2	10.24	52.0	11.88	
80-46	0.5	73.4	0.90	77.2	0.90	79.3	0.89	80.1	0.98	80.6	1.11	81.0	1.28	81.2	1.56
	1.0	66.5	1.58	73.3	1.58	77.1	1.58	78.5	1.67	79.4	1.80	80.2	1.97	80.6	2.25
	1.5	60.1	2.26	69.7	2.26	75.1	2.26	77.1	2.35	78.3	2.48	79.5	2.65	80.0	2.93
	2.0	54.1	2.94	66.3	2.94	73.2	2.94	75.7	3.03	77.3	3.16	78.8	3.33	79.5	3.61
	2.5	48.2	3.63	63.0	3.63	71.3	3.63	74.5	3.72	76.3	3.85	78.1	4.02	78.9	4.30
	3.0			59.9	4.31	69.5	4.31	73.1	4.40	75.4	4.53	77.4	4.70	78.4	4.98
	3.5			56.8	4.99	67.8	4.99	71.8	5.08	74.5	5.21	76.8	5.38	77.9	5.66
	4.0					66.1	5.68	70.6	5.77	73.6	5.90	76.2	6.07	77.5	6.35
120-36	0.5	88.9	1.19	93.7	1.19	96.5	1.19	97.5	1.32	98.1	1.51	98.7	1.79	99.0	2.27
	1.0	80.0	2.03	88.7	2.03	93.7	2.03	95.5	2.16	96.6	2.35	97.7	2.63	98.2	3.11
	1.5	71.8	2.86	84.1	2.86	91.1	2.86	93.6	2.99	95.2	3.18	96.8	3.46	98.5	3.94
	2.0	63.9	3.69	79.6	3.69	88.6	3.69	91.9	3.82	93.6	4.01	95.9	4.29	96.8	4.77
	2.5	56.4	4.53	75.4	4.53	86.3	4.53	90.2	4.66	92.6	4.85	95.0	5.13	96.1	5.61
	3.0			71.3	5.36	84.0	5.36	88.6	5.50	91.3	5.68	94.1	5.96	95.4	6.44
	3.5			67.2	6.19	81.7	6.19	86.9	6.32	90.1	6.51	93.3	6.79	94.8	7.24
	4.0			63.3	7.03	79.5	7.03	85.4	7.16	89.0	7.35	92.5	7.63	94.2	8.11
	4.5					79.0	8.46	85.0	9.10	88.4	11.36	92.0	13.80	93.7	16.06
	5.0					78.4	9.33	84.3	10.03	87.8	12.54	91.6	15.26	93.1	17.73
	5.5					77.8	10.10	83.7	10.96	87.2	13.70	91.1	16.70	92.5	19.38
6.0					77.2	11.02	83.0	11.85	86.7	14.86	90.5	18.10	92.0	21.02	
120-46	0.5	107	1.34	112	1.35	115	1.35	116	1.47	116	1.66	117	1.95	117	2.42
	1.0	98.0	2.33	107	2.33	112	2.33	114	2.46	115	2.65	116	2.93	116	3.41
	1.5	89.8	3.31	102	3.31	109	3.31	112	3.45	113	3.63	115	3.91	115	4.39
	2.0	81.9	4.29	97.6	4.29	107	4.29	110	4.42	112	4.61	114	4.89	115	5.37
	2.5	74.5	5.28	93.4	5.28	104	5.28	108	5.41	111	5.60	113	5.88	114	6.36
	3.0			89.3	6.26	102	6.26	107	6.39	109	6.58	112	6.86	113	7.34
	3.5			85.2	7.25	100	7.25	105	7.37	108	7.56	111	7.84	113	8.32
	4.0					97.5	8.23	103	8.36	107	8.55	111	8.83	112	9.31



转速 Speed n=1450r/min

泵规格 Size	压力 (MPa) Delivery pressure	运动粘度 Viscosity mm <sup>2</sup> /s													
		1		15		35		75		150		350		750	
		流量 L/min	轴功率 Kw	流量 L/min	轴功率 Kw	流量 L/min	轴功率 Kw	流量 L/min	轴功率 Kw	流量 L/min	轴功率 Kw	流量 L/min	轴功率 Kw	流量 L/min	轴功率 Kw
210-36	0.5	154	1.95	160	1.95	163	1095	164	2.13	165	2.42	166	2.90	166	3.63
	1.0	144	3.34	154	3.34	160	3.34	162	3.52	163	3.81	164	4.29	165	5.02
	1.5	135	4.75	149	4.75	157	4.75	160	4.92	162	5.21	163	5.69	164	6.42
	2.0	126	6.13	144	6.13	154	6.13	158	6.31	160	6.60	162	7.08	163	7.81
	2.5	118	7.52	139	7.52	151	7.52	156	7.70	159	7.99	161	8.47	163	8.20
	3.0	109	8.91	134	8.91	149	8.91	154	9.09	157	9.38	160	9.86	162	10.6
	3.5			130	10.3	146	10.3	152	10.5	156	10.8	159	11.3	161	12.0
	4.0			125	11.7	144	11.7	150	11.9	155	12.2	159	12.6	161	13.4
	4.5					140	15.0	148	15.8	153	19.7	158	23.7	160	27.4
	5.0					132	15.7	146	17.4	150	21.4	155	25.8	157	29.9
	5.5					126	16.5	143	18.7	148	23.2	152	27.8	155	32.5
6.0					120	17.1	140	20.0	146	25.0	150	30.0	152	34.7	
210-46	0.5	193	2.31	200	2.31	205	2.31	206	2.49	207	2.78	208	3.26	209	3.99
	1.0	179	4.06	193	4.06	200	4.06	203	4.24	205	4.53	206	5.01	207	5.74
	1.5	166	5.81	185	5.81	196	5.81	200	5.99	203	6.28	205	6.76	206	7.49
	2.0	154	7.56	179	7.56	192	7.56	198	7.74	201	8.03	204	8.51	205	9.24
	2.5	142	9.31	172	9.31	189	9.31	195	9.50	199	9.78	202	10.3	204	11.0
	3.0			166	11.1	185	11.1	192	11.2	197	11.5	201	12.0	203	12.7
	3.5			160	12.8	182	12.8	190	13.0	195	13.3	200	13.8	202	14.5
	4.0					178	14.6	188	14.7	193	15.0	198	15.5	201	16.2
280-36	0.5	226	2.91	235	2.91	240	2.91	242	3.20	244	3.61	245	4.38	245	5.45
	1.0	210	4.97	226	4.97	235	4.97	239	5.26	241	5.67	243	6.44	244	7.51
	1.5	194	7.03	217	7.03	230	7.03	235	7.32	238	7.73	241	8.50	242	9.57
	2.0	179	9.08	209	9.08	226	9.08	232	9.37	236	9.78	239	10.6	241	11.6
	2.5	165	11.1	201	11.1	221	11.1	229	11.5	233	11.8	237	12.6	240	13.7
	3.0			193	13.2	217	13.2	226	13.5	231	13.9	236	14.7	239	15.7
	3.5			186	15.3	213	15.3	223	15.5	229	16.0	234	16.7	237	17.8
	4.0			178	17.3	209	17.3	220	17.6	227	18.0	233	18.8	236	19.9
	4.5					205	21.9	218	23.4	225	28.9	230	34.8	234	40.1
	5.0					202	24.0	215	25.6	223	31.8	228	38.0	232	44.1
	5.5					200	26.2	212	27.7	221	34.7	225	41.2	230	48.2
6.0					196	28.0	210	30.0	220	37.7	222	44.4	228	52.1	
280-46	0.5	259	3.18	268	3.18	273	3.18	275	3.47	277	3.88	278	4.65	278	5.72
	1.0	243	5.52	259	5.52	268	5.52	272	5.81	274	6.22	276	6.99	277	8.06
	1.5	227	7.85	250	7.85	263	7.85	268	8.14	271	8.55	274	9.32	275	10.4
	2.0	212	10.2	242	10.2	259	10.2	265	10.5	269	10.9	272	11.7	274	12.7
	2.5	198	12.5	234	12.5	254	12.5	262	12.8	266	13.2	270	14.0	273	15.1
	3.0			226	14.9	250	14.9	259	15.1	264	15.6	269	16.3	272	17.4
	3.5			219	17.2	246	17.2	256	17.5	262	17.9	267	18.7	270	19.7
	4.0					242	19.5	253	19.8	260	20.2	266	21.0	269	22.1
440-36	0.5	325	4.13	334	4.13	339	4.13	341	4.57	342	5.13	344	6.27	344	7.88
	1.0	308	7.02	324	7.02	334	7.02	337	7.46	340	8.01	342	9.16	343	10.8
	1.5	292	9.90	316	9.90	329	9.90	334	10.3	337	10.9	340	12.0	341	13.7
	2.0	277	12.8	307	12.8	324	12.8	330	13.2	334	13.8	338	14.9	340	16.5
	2.5	262	15.7	299	15.7	320	15.7	327	16.1	332	16.7	336	17.8	339	19.4
	3.0	248	18.6	291	18.6	315	18.6	324	19.0	329	19.5	335	20.7	337	22.3
	3.5			283	21.4	311	21.4	321	21.9	327	22.4	333	23.6	336	25.2
	4.0			276	24.3	307	24.3	318	24.8	325	25.3	331	26.5	335	28.1
	4.5					305	32.7	315	33.7	323	41.5	330	49.5	333	57.1
	5.0					303	36.1	312	37.1	320	45.7	328	54.7	330	62.8
	5.5					300	39.3	310	40.6	318	50.0	325	59.6	328	68.7
6.0					296	42.3	308	44.0	316	54.2	322	64.4	325	74.3	





转速 Speed  $n=1450r/min$

泵规格 Size	压力 (MPa) Delivery pressure	运动粘度 Viscosity $mm^2/s$													
		1		15		35		75		150		350		750	
		流量 L/min	轴功率 Kw	流量 L/min	轴功率 Kw	流量 L/min	轴功率 Kw	流量 L/min	轴功率 Kw	流量 L/min	轴功率 Kw	流量 L/min	轴功率 Kw	流量 L/min	轴功率 Kw
440-46	0.5	413	4.93	426	4.93	433	4.93	436	5.37	437	5.92	439	7.07	439	8.68
	1.0	390	8.62	413	8.62	425	8.62	430	9.06	433	9.61	436	10.8	437	12.4
	1.5	368	12.3	400	12.3	419	12.3	425	12.7	429	13.3	433	14.4	436	16.1
	2.0	647	16.0	389	16.0	412	16.0	421	16.4	426	17.0	431	18.1	434	19.7
	2.5	328	19.7	378	19.7	406	19.7	417	20.1	423	20.7	429	21.8	432	23.4
	3.0			367	23.4	400	23.4	412	23.8	419	24.3	426	25.5	430	27.1
	3.5			356	27.0	394	27.0	408	27.5	416	28.0	424	29.2	429	30.8
	4.0					388	30.7	404	31.2	413	31.7	422	32.9	427	34.5
660-36	0.5	510	6.28	522	6.28	529	6.28	532	6.91	533	7.68	535	9.41	536	11.7
	1.0	487	10.8	509	10.8	522	10.8	527	11.4	529	12.2	532	13.9	534	16.2
	1.5	466	15.3	497	15.3	515	15.3	522	15.9	526	16.7	530	18.4	532	20.7
	2.0	446	19.7	486	19.7	509	19.7	517	20.4	522	21.1	527	22.9	530	25.1
	2.5	426	24.2	475	24.2	503	24.2	513	24.8	519	25.6	525	27.3	528	29.6
	3.0			464	28.7	499	28.7	509	29.3	516	30.1	523	31.8	527	34.1
	3.5			454	33.2	491	33.2	505	33.8	513	34.6	521	36.3	525	38.6
	4.0			444	37.7	485	37.7	501	38.3	510	39.1	519	40.8	523	43.1
	4.5					480	51.4	496	53.1	505	64.9	515	77.3	520	89.1
	5.0					475	56.5	492	58.5	500	71.4	510	85.0	518	98.1
	5.5					470	61.5	487	63.8	495	77.8	505	92.6	515	107.9
	6.0					465	66.4	482	68.8	490	84.0	500	100.0	512	117.0
660-46	0.5	621	7.30	638	7.30	648	7.30	651	7.93	653	8.70	655	10.4	657	12.7
	1.0	590	12.8	621	12.8	638	12.8	644	13.4	648	14.2	652	15.9	654	18.2
	1.5	561	18.3	604	18.3	629	18.3	638	18.9	643	19.7	648	21.4	651	32.7
	2.0	533	23.8	589	23.8	620	23.8	632	24.4	639	25.2	645	26.9	649	29.2
	2.5			574	29.3	612	29.3	626	29.9	634	30.7	642	32.4	646	34.7
	3.0			560	34.8	604	34.8	620	35.5	630	36.2	639	37.9	644	40.2
	3.5			545	40.3	596	40.8	614	40.9	625	41.7	636	43.4	642	45.7
	4.0					588	45.8	609	46.4	621	47.2	633	48.9	640	51.2
940-36	0.5	733	9.11	755	9.11	767	9.11	772	10.0	775	11.0	777	13.4	779	16.5
	1.0	692	15.6	732	15.6	754	15.6	763	16.5	768	17.5	772	20.0	775	23.1
	1.5	655	22.2	711	22.2	743	22.2	754	23.0	761	24.1	768	26.5	772	29.6
	2.0	620	28.7	691	28.7	731	28.7	747	29.6	755	30.6	764	33.0	769	36.1
	2.5	585	35.2	672	35.2	721	35.2	739	36.1	750	37.1	760	39.5	766	42.6
	3.0			653	41.7	710	41.7	732	42.6	744	43.6	756	46.1	763	49.2
	3.5			635	48.3	700	48.3	724	49.1	739	50.2	752	52.6	760	55.7
	4.0			617	54.8	690	54.8	717	55.7	733	56.7	749	59.1	757	62.2
	4.5					680	72.8	710	76.1	725	93.2	745	111.7	755	129.4
	5.0					672	80.0	705	83.9	720	102.8	742	123.7	752	143.2
	5.5					666	87.2	700	91.7	712	111.9	738	135.3	748	156.7
	6.0					660	94.3	690	98.6	705	120.8	732	146.4	745	170.3
940-46	0.5	890	10.4	912	10.4	924	10.4	929	11.3	932	12.3	934	14.8	936	17.7
	1.0	849	18.2	889	18.2	911	18.2	920	19.1	925	20.2	929	22.6	932	25.7
	1.5	812	26.1	868	26.1	900	26.1	911	27.0	918	28.0	925	30.4	929	33.5
	2.0	777	33.9	848	33.9	888	33.9	904	34.8	912	35.8	921	38.3	926	41.3
	2.5			829	41.7	878	41.7	896	42.6	907	43.7	917	46.1	923	49.2
	3.0			810	49.6	867	49.6	889	50.5	901	51.5	913	53.9	920	57.0
	3.5			792	57.4	857	57.5	881	58.3	896	59.3	909	61.8	917	64.8
	4.0					847	65.2	874	66.1	890	67.2	906	69.6	914	72.7



转速 Speed  $n=1450r/min$

泵规格 Size	压力 (MPa) Delivery pressure	运动粘度 Viscosity $mm^2/s$													
		1		15		35		75		150		350		750	
		流量 L/min	轴功率 Kw	流量 L/min	轴功率 Kw	流量 L/min	轴功率 Kw	流量 L/min	轴功率 Kw	流量 L/min	轴功率 Kw	流量 L/min	轴功率 Kw	流量 L/min	轴功率 Kw
1300-36	0.5	882	11.3	902	11.3	913	11.3	918	12.5	920	13.8	923	17.3	924	21.2
	1.0	845	19.0	881	19.0	902	19.0	909	20.2	914	21.5	918	25.0	921	29.0
	1.5	810	26.7	862	26.7	891	26.7	902	28.0	908	29.2	914	32.8	918	36.7
	2.0	777	34.5	842	34.5	881	34.5	894	35.7	903	37.0	911	40.5	915	44.4
	2.5	746	42.2	826	42.2	871	42.2	887	43.4	897	44.7	907	48.2	912	52.2
	3.0	716	49.9	808	49.9	861	49.9	881	51.2	892	52.4	903	56.0	909	59.9
	3.5			792	54.7	852	57.7	874	58.9	887	60.2	900	63.7	907	67.7
	4.0			775	65.4	843	65.4	868	66.6	882	67.9	896	71.5	904	75.4
	4.5					840	90.0	865	92.7	880	113.1	892	133.8	900	154.3
	5.0					832	99.0	860	102.4	875	125.0	888	148	895	170.5
	5.5					828	108.4	852	111.6	870	136.7	885	162.3	890	186.5
6.0					825	117.8	848	121.1	865	148.3	880	176.0	888	202.9	
1300-46	0.5	1227	14.3	1254	14.3	1270	14.3	1276	15.5	1279	16.8	1283	20.3	1284	24.3
	1.0	1176	25.0	1226	25.0	1254	25.0	1265	26.3	1271	27.5	1277	31.1	1280	35.0
	1.5	1129	35.8	1199	35.8	1239	35.8	1254	37.0	1263	38.3	1271	41.8	1276	45.8
	2.0	1085	46.5	1174	46.5	1225	46.5	1244	47.8	1255	49.0	1266	52.6	1272	56.5
	2.5			1150	57.3	1212	57.3	1234	58.5	1248	59.8	1261	63.3	1268	67.3
	3.0			1127	68.0	1198	68.0	1225	69.3	1241	70.5	1256	74.1	1264	78.0
	3.5			1104	78.8	1186	78.8	1216	80.0	1234	81.3	1251	84.8	1261	88.8
	4.0					1173	89.5	1207	90.8	1227	92.0	1247	95.6	1257	100
1700-36	0.5	1407	17.2	1441	17.2	1460	17.2	1468	18.6	1472	20.2	1476	24.9	1478	30.1
	1.0	1344	29.5	1406	29.5	1441	29.5	1454	31.0	1461	32.5	1469	37.2	1473	42.4
	1.5	1286	41.9	1373	41.9	1422	41.9	1441	43.4	1451	44.9	1462	49.6	1476	54.8
	2.0	1231	54.3	1343	54.3	1405	54.3	1428	55.8	1442	57.3	1455	62.0	1463	67.2
	2.5	1178	66.7	1313	66.7	1388	66.7	1417	68.1	1433	69.7	1449	74.4	1458	79.6
	3.0			1284	79.0	1372	79.0	1405	80.5	1424	82.0	1443	86.4	1453	91.9
	3.5			1256	91.4	1357	91.5	1394	92.9	1416	94.5	1437	99.1	1449	104
	4.0			1228	104	1341	104	1383	105	1408	107	1432	111	1445	117
	4.5					1335	143	1380	148	1400	180	1425	214	1440	247
	5.0					1330	158	1372	163	1395	199	1420	237	1432	273
	5.5					1322	173	1365	179	1390	218	1415	259	1425	299
6.0					1315	188	1355	193	1385	237	1410	282	1420	325	
1700-46	0.5	1624	19.1	1676	19.1	1695	19.1	1703	206	1707	22.1	1711	26.8	1713	32.0
	1.0	1579	33.4	1641	33.4	1676	33.4	1689	34.9	1696	36.5	1704	41.2	1408	46.4
	1.5	1521	47.8	1608	47.8	1657	47.8	1676	49.3	1688	50.8	1697	55.5	1702	60.7
	2.0	1466	62.1	1578	62.1	1640	62.1	1663	63.6	1677	65.1	1690	69.8	1698	75.0
	2.5			1548	76.4	1623	76.4	1652	77.9	1668	79.5	1684	84.2	1693	89.4
	3.0			1519	90.8	1907	90.8	1640	92.3	1659	93.8	1678	98.5	1688	104
	3.5			1491	105	1592	105	1629	107	1651	108	1672	113	1684	118
	4.0					1576	119	1618	121	1643	122	1667	127	1680	132

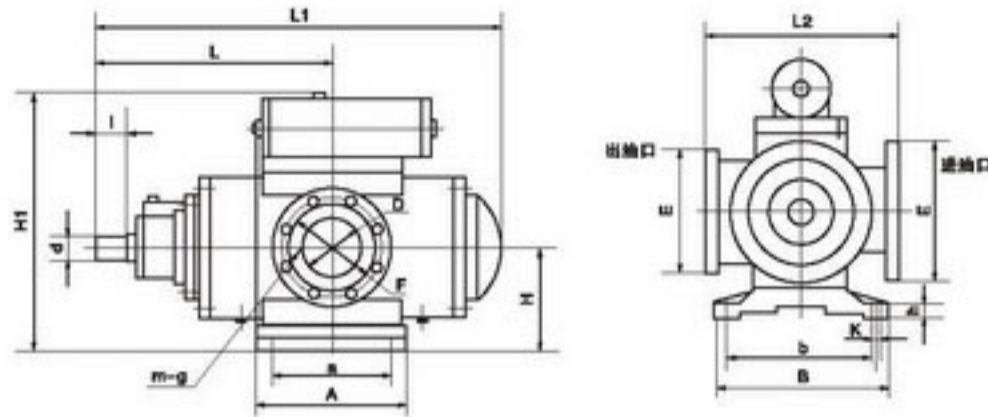


转速 Speed n=1450r/min

泵规格 Size	压力 (MPa) Delivery pressure	运动粘度 Viscosity mm <sup>2</sup> /s													
		1		15		35		75		150		350		750	
		流量 L/min	轴功率 Kw	流量 L/min	轴功率 Kw	流量 L/min	轴功率 Kw	流量 L/min	轴功率 Kw	流量 L/min	轴功率 Kw	流量 L/min	轴功率 Kw	流量 L/min	轴功率 Kw
2200-36	0.5	1838	22.4	1879	22.4	1902	22.4	1911	24.2	1916	26.0	1921	32.6	1924	38.2
	1.0	1762	38.5	1836	38.5	1878	38.5	1894	40.3	1903	42.1	1912	47.7	1917	54.3
	1.5	1692	54.6	1797	54.6	1856	54.6	1879	56.4	1891	58.2	1904	63.8	1911	70.4
	2.0	1626	70.7	1760	70.7	1835	70.7	1864	72.5	1880	74.3	1896	79.9	1905	86.5
	2.5	1562	86.8	1724	86.8	1815	86.8	1849	88.6	1869	90.4	1889	96.0	1899	103
	3.0			1689	103	1796	103	1836	105	1859	107	1882	112	1894	119
	3.5			1655	119	1777	119	1822	121	1849	123	1875	128	1888	135
	4.0			1621	135	1758	135	1809	137	1839	139	1868	144	1883	151
	4.5					1750	188	1800	193	1830	235	1860	279	1878	322
	5.0					1740	207	1790	213	1820	260	1852	308	1870	356
	5.5					1732	227	1780	233	1810	284	1845	338	1862	390
6.0					1728	247	1775	254	1800	308	1838	368	1855	424	
2200-46	0.5	2136	24.9	2177	24.9	2200	24.9	2209	26.7	2214	28.5	2219	34.1	2222	40.7
	1.0	2060	43.5	2134	43.5	2176	43.5	2192	45.3	2201	47.1	2210	52.7	2215	59.3
	1.5	1990	62.1	2095	62.1	2154	62.1	2177	63.9	2189	65.7	2202	71.3	2209	77.9
	2.0	1924	80.7	2058	80.7	2133	80.7	2162	82.4	2178	84.3	2194	89.8	2203	96.4
	2.5			2022	99.2	2113	99.2	2147	101	2167	103	2187	108	2197	115
	3.0			1987	118	2094	118	2134	120	2157	121	2180	127	2192	134
	3.5			1953	236	2075	136	2120	138	2147	140	2173	146	2186	152
	4.0					2056	155	2107	155	2137	159	2166	164	2181	171
2900-40	0.5	2728	33.4	2786	33.4	2818	33.4	2831	35.9	2838	38.9	2845	48.1	2848	56.9
	1.0	2622	57.2	2726	57.2	2785	57.2	2807	59.8	2820	62.8	2833	72.0	2839	80.8
	1.5	2524	81.1	2671	81.1	2754	81.1	2785	83.6	2803	86.6	2822	95.8	2830	105
	2.0	2431	105	2618	105	2725	105	2764	107	2788	110	2811	120	2822	128
	2.5			2568	129	2697	129	2745	131	2772	134	2801	143	2814	152
	3.0			2519	153	2669	153	2725	155	2758	158	2791	167	2807	176
	3.5					2642	176	2706	179	2743	182	2781	191	2799	200
	4.0					2616	200	2688	203	2729	206	2772	215	2792	224
	4.5					2610	280	2680	287	2720	350	2762	414	2785	477
	5.0					2600	310	2670	318	2710	387	2750	458	2770	528
	5.5					2590	339	2655	348	2700	424	2740	502	2762	579
6.0					2580	368	2640	377	2680	459	2730	546	2755	630	
3600-46	0.5	3428	39.2	3486	39.2	3518	39.2	3531	41.8	3538	44.8	3545	54.0	3548	62.8
	1.0	3322	68.9	3426	68.9	3485	68.9	3507	71.4	3520	74.4	3532	83.8	3539	92.5
	1.5	3224	98.6	3371	98.6	3454	98.6	3485	101	3503	104	3521	113	3530	112
	2.0			3318	128	3425	128	3464	131	3488	134	3510	143	3522	152
	2.5			3268	158	3397	158	3445	160	3472	163	3500	173	3514	181
	3.0					3369	188	3425	190	3458	193	3490	202	3507	211
	3.5					3342	217	3406	220	3443	223	3480	232	3499	242
	4.0					3316	247	3388	249	3429	252	3470	262	3492	270
5300-46	0.5	5169	62.2	5246	62.2	5290	62.2	5306	67.3	5315	72.5	5324	90.1	5329	107
	1.0	5027	107	5166	107	5245	107	5274	112	5291	117	5308	135	5317	152
	1.5	4896	151	5092	151	5204	151	5254	156	5269	162	5293	179	5305	196
	2.0			5022	196	5165	196	5217	201	5248	206	5278	224	5294	241
	2.5			4955	240	5127	240	5190	246	5228	251	5264	268	5284	385
	3.0					5091	285	5164	290	5208	295	5251	313	5274	330
	3.5					5055	329	5139	335	5189	340	5237	357	5263	374
	4.0					5020	374	5114	379	5170	384	5224	402	5254	419

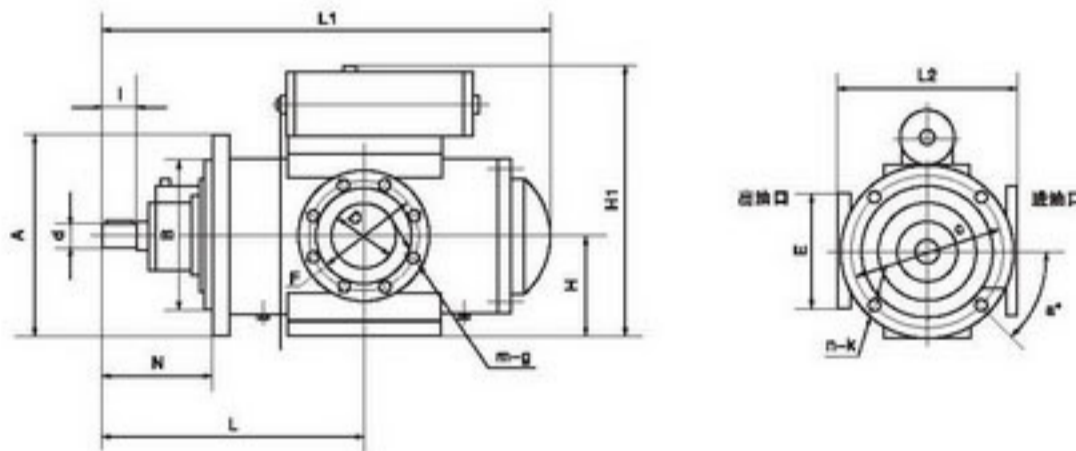


七、安装尺寸图 Drawing of mounting dimensions



SNH 系列(底脚安装)三螺杆泵安装尺寸图

型号	外形尺寸					底脚尺寸					轴伸尺寸		进口法兰				出口法兰				
	H	H <sub>1</sub>	L	L <sub>1</sub>	L <sub>2</sub>	A	B	a	b	h	k	d	l	D	E	F	m-g	D	E	F	m-g
SNH40	106	276	230	393	200	114	170	70	144	10	12	19	35	32	140	100	4-18	25	115	85	4-14
SNH80	118	300	275	435	240	114	170	70	144	10	12	19	35	65	185	145	4-18	50	165	125	4-18
SNH120	150	380	317	503	260	190	210	140	180	15	14	24	45	65	185	145	4-18	50	165	125	4-18
SNH210	160	410	352	580	300	190	210	140	180	15	14	28	55	80	200	160	8-18	65	185	145	8-18
SNH280	190	440	390	630	330	280	350	200	300	30	23	32	55	100	220	180	8-18	80	200	160	8-18
SNH440	200	460	440	716	360	280	350	200	300	30	23	38	60	125	250	210	8-18	100	235	190	8-23
SNH660	215	500	490	800	390	280	350	200	300	30	23	42	75	125	250	210	8-18	100	235	190	8-23
SNH940	225	520	555	886	410	280	350	200	300	30	23	48	80	150	285	240	8-23	125	270	220	8-27
SNH1300	240	610	560	955	440	380	430	300	370	35	23	48	80	150	285	240	8-23	125	270	220	8-27
SNH1700	260	650	600	1030	480	380	430	300	370	35	23	55	80	200	340	295	8-23	150	300	250	8-27
SNH2200	265	660	715	1136	500	380	430	300	370	35	23	60	100	200	340	295	8-23	150	300	250	8-27
SNH2900	315	790	820	1323	600	430	470	340	420	40	27	75	120	250	395	350	12-23	200	375	320	12-30
SNH3600	315	790	820	1323	600	430	470	340	420	40	27	75	120	250	395	350	12-23	200	375	320	12-30
SNH5300	315	830	1281	1728	740	550	580	480	500	50	27	85	170	250	395	350	12-23	200	375	320	12-30

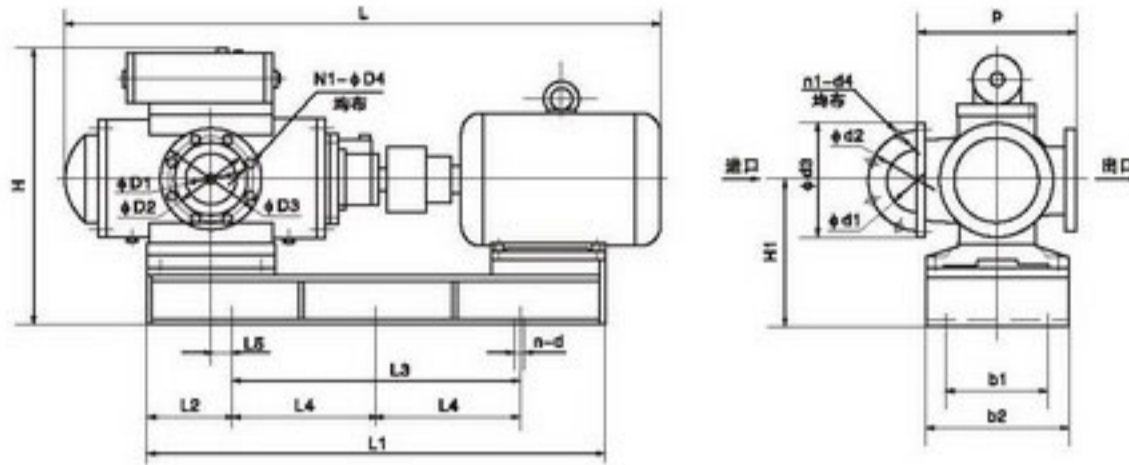


SNF 系列(法兰安装)三螺杆泵安装尺寸图

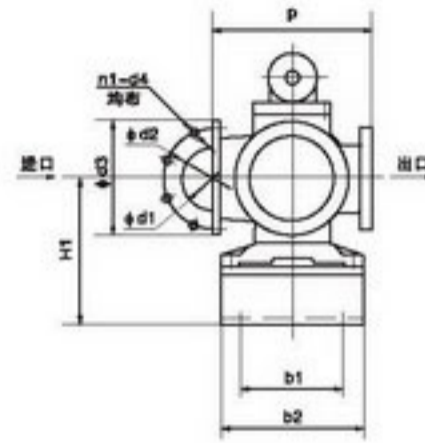
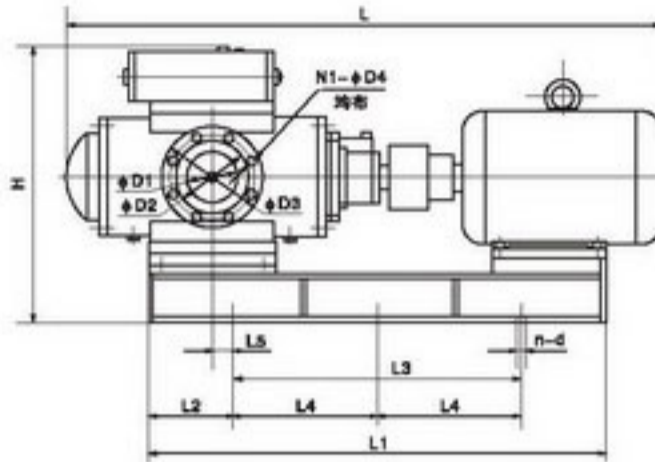
型号	外形尺寸					底脚尺寸					轴伸尺寸		进口法兰				出口法兰				
	H	H <sub>1</sub>	L	L <sub>1</sub>	L <sub>2</sub>	A	B	C	N	a	n-k	d	l	D	E	F	m-g	D	E	F	m-g
SNF40	83	213	230	393	200	190	130	160	130	45	4-14	19	35	32	140	100	4-18	25	115	85	4-14
SNF80	95	225	275	435	240	230	155	190	138	45	4-18	19	35	65	185	145	4-18	50	165	125	4-18
SNF120	115	245	317	503	260	260	185	220	168	45	4-18	24	45	65	185	145	4-18	50	165	125	4-18
SNF210	125	255	352	580	300	290	205	250	186	45	4-18	28	55	80	200	160	8-18	65	185	145	8-18
SNF280	140	270	390	630	330	310	220	260	195	45	4-23	32	55	100	220	180	8-18	80	200	160	8-18
SNF440	150	280	440	716	360	380	250	310	209	45	4-27	38	60	125	250	210	8-18	100	235	190	8-23
SNF660	165	295	490	800	390	380	270	320	239	45	4-27	42	75	125	250	210	8-18	100	235	190	8-23
SNF940	175	305	555	886	410	400	290	350	251	22.5	8-23	48	80	150	285	240	8-23	125	270	220	8-27
SNF1300	190	390	560	955	440	410	310	360	257	22.5	8-23	48	80	150	285	240	8-23	125	270	220	8-27
SNF1700	210	410	600	1030	480	480	350	420	258	22.5	8-23	55	80	200	340	295	8-23	150	300	250	8-27
SNF2200	215	445	715	1136	500	480	350	420	294	22.5	8-23	60	100	200	340	295	8-23	150	300	250	8-27
SNF2900	263	493	820	1323	600	560	450	500	394	22.5	8-27	75	120	250	395	350	12-23	200	375	320	12-30
SNF3600	263	493	820	1323	600	560	450	500	394	22.5	8-27	75	120	250	395	350	12-23	200	375	320	12-30



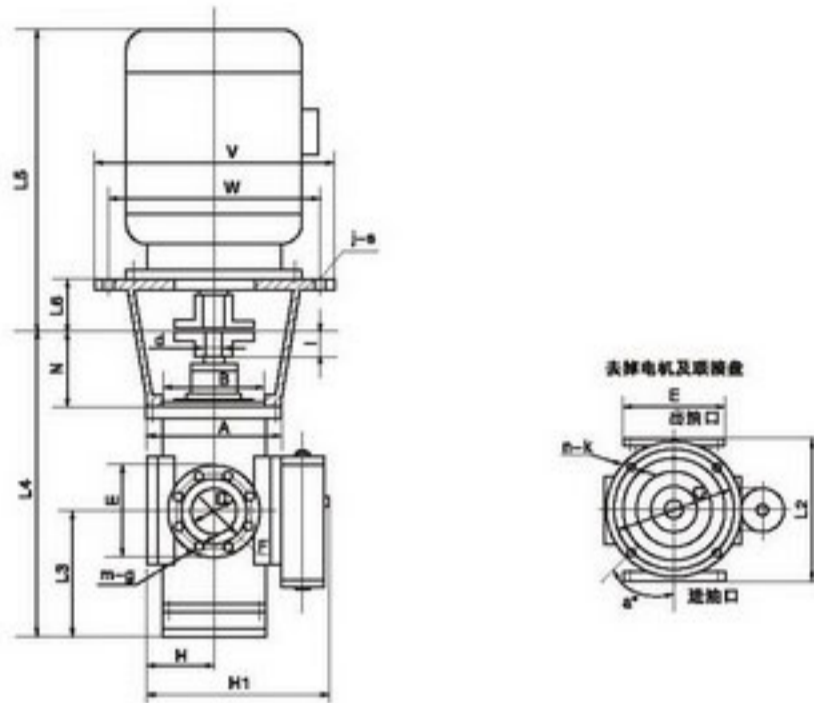
SNH 系列三螺杆泵尺寸及机组尺寸 Type pump installation dimensions



泵型号	电机	L	L1	L2	L3	L4	L5	n-d	b1	b2	H	H1	P	进油口				出油口			
														d1	d2	d3	n1-d4	D1	D2	D3	N1-D4
SN40	Y90	744	550	75	400	-	18	4-φ12	150	180	302	164	200	32	100	140	4-φ18	25	85	115	4-φ14
	Y100L	789	584	92	400	-	35	4-φ12	175	205	304	166									
	Y112M	809	593	96	400	-	39	4-φ12	215	245	310	172									
SN80	Y100L	831	629	65	500	-	8	4-φ12	175	205	329	178	240	65	145	185	4-φ18	50	125	165	4-φ18
	Y112M	851	638	69	500	-	12	4-φ12	215	245	329	178									
	Y132	964	723	87	550	-	30	4-φ14	245	280	373	222									
SN120	Y100L	899	709	105	500	-	10	4-φ12	180	210	454	223	260	65	145	185	4-φ18	50	125	165	4-φ18
	Y112M	919	718	110	500	-	15	4-φ12	215	245	454	223									
	Y132	1022	793	97	600	-	2	4-φ14	245	280	471	240									
	Y160	1165	931	116	700	-	21	4-φ14	290	330	503	272									
SN210	Y112M	1003	760	130	500	-	35	4-φ12	215	245	474	233	300	80	160	200	8-φ18	65	145	185	8-φ18
	Y132	1118	827	114	600	-	19	4-φ14	245	280	491	250									
	Y160	1248	956	128	700	-	33	4-φ14	290	330	513	272									
	Y180	1313	999	150	700	-	55	4-φ18	315	355	533	292									
SN280	Y132	1163	910	155	600	-	15	4-φ14	315	350	521	286	330	100	180	220	8-φ18	80	160	200	8-φ18
	Y160	1297	1040	170	700	-	30	4-φ18	315	355	541	306									
	Y180	1362	1082	191	700	-	51	4-φ18	315	355	541	306									
	Y200L	1427	1122	161	800	-	21	4-φ18	355	395	571	336									
SN440	Y160	1363	1084	192	700	-	52	4-φ18	315	355	581	320	360	125	210	250	8-φ18	100	190	235	8-φ18
	Y180	1428	1127	164	800	-	24	4-φ18	315	355	581	320									
	Y200L	1491	1167	184	800	-	44	4-φ18	355	395	601	340									
	Y225	1561	1223	112	-	500	-28	6-φ18	395	435	626	365									



泵筒号	电机	L	L1	L2	L3	L4	L5	n-d	b1	b2	H	H1	P	进油口				出油口			
														d1	d2	d3	n1-d4	D1	D2	D3	N1-D4
SN660	Y160	1447	1134	192	750	-	52	4-φ18	315	355	611	335	390	125	210	250	8-φ18	100	190	235	8-φ23
	Y180	1512	1177	188	800	-	48	4-φ18	315	355	611	335									
	Y200L	1577	1217	108	-	500	-32	6-φ18	355	395	631	355									
	Y225	1647	1273	136	-	500	-4	6-φ18	395	435	641	365									
	Y250M	1732	1342	121	-	550	-19	6-φ18	450	490	686	410									
SN940	Y180	1598	1242	121	-	500	-19	6-φ18	315	355	651	365	410	150	240	285	8-φ23	125	220	270	8-φ27
	Y200L	1663	1282	141	-	500	1	6-φ18	355	395	651	365									
	Y225	1733	1338	119	-	550	-21	6-φ18	395	435	651	365									
	Y250M	1818	1407	104	-	600	-36	6-φ18	450	190	696	410									
	Y280	1938	1530	115	-	650	-25	6-φ18	510	550	726	440									
SN1300	Y180	1670	1298	150	-	500	-40	6-φ18	400	440	747	376	440	150	240	285	8-φ23	125	220	270	8-φ27
	Y200	1735	1338	120	-	550	-70	6-φ18	400	440	747	376									
	Y225	1805	1397	98	-	600	-92	6-φ18	450	490	751	380									
	Y250M	1890	1456	128	-	600	-62	6-φ18	450	490	781	410									
	Y280	2010	1586	143	-	650	-47	6-φ18	520	560	811	440									
SN1700	Y200L	1812	1378	140	-	550	-50	6-φ18	400	440	787	396	480	200	295	340	8-φ23	150	250	300	8-φ27
	Y225	1882	1437	118	-	600	-72	6-φ18	450	490	791	400									
	Y250M	1967	1496	148	-	600	-42	6-φ18	450	490	811	420									
	Y280	2087	1626	113	-	700	-77	6-φ18	520	560	831	440									
SN2200	Y225	1992	1552	126	-	650	-64	6-φ18	450	490	831	405	500	200	295	340	8-φ23	150	250	300	8-φ27
	Y250M	2077	1620	110	-	700	80	6-φ18	450	490	851	425									
	Y280	2197	1741	120	-	750	-70	6-φ18	520	560	866	440									
	Y315	2397	1851	125	-	800	-65	6-φ24	600	650	926	500									
SN3600	Y225	2104	1602	101	-	700	-99	6-φ18	450	490	898	455	600	250	350	395	12-φ23	200	320	375	12-φ30
	Y250M	2189	1670	135	-	700	-65	6-φ18	450	490	918	475									
	Y280	2309	1792	146	-	750	-54	6-φ18	520	560	918	475									
	Y315	2509	1902	151	-	800	-49	6-φ24	600	650	943	500									

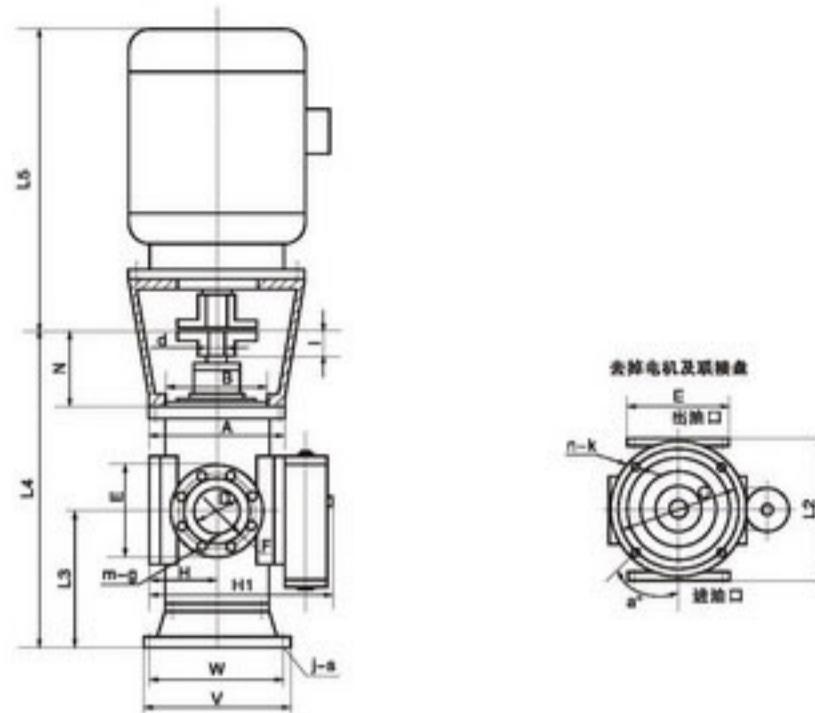


型号 Type	L3	L4
SNT 40	160	390
SNT 80	190	465
SNT 120	205	522
SNT 210	230	582
SNT 280	350	740
SNT 440	350	790
SNT 660	350	840
SNT 940	370	925
SNT 1300	450	1000
SNT 1700	467	1066
SNT 2200	450	1165
SNT 2900	580	1400
SNT 3600	580	1400
SNT 5300	875	1722

注：其余尺寸见SNF(法兰安装)安装尺寸表。

Note: Other dimensions are seen at the mounting dimension table of SNF type (flange installation)

电机型号 Type	L5	L6	V	W	j-s
Y80	240	43	280	240	4-14
Y90	330	53	280	240	4-14
Y100	365	63	340	300	4-14
Y112	380	63	340	300	4-14
Y132	485	83	380	340	4-18
Y160	630	112	450	400	4-18
Y180	690	112	450	400	4-18
Y200	735	112	500	450	6-18
Y225	835	142	550	500	6-18
Y250	940	142	650	600	6-23
Y280	1050	142	650	600	6-23

**SNS 系列(立式安装)三螺杆泵机组安装尺寸图 Pump installation dimensions**


型号 Type	L3	L4	V	W	j-s
SNS 40	160	390	250	220	4-14
SNS 80	190	465	280	240	6-18
SNS 120	205	522	320	280	6-18
SNS 210	230	582	340	300	6-18
SNS 280	350	740	400	360	8-18
SNS 440	350	790	420	380	8-18
SNS 660	350	840	480	440	8-18
SNS 940	370	925	510	460	8-18
SNS 1300	450	1000	560	500	8-23
SNS 1700	467	1066	600	540	8-23
SNS 2200	450	1165	620	560	8-23
SNS 2900	580	1400	800	700	8-30
SNS 3600	580	1400	800	700	8-30
SNS 5300	875	1722	800	700	8-30

注：其余尺寸见 SNF (法兰安装)安装尺寸表。

Note: Other dimensions are seen at the mounting dimension table of SNF type(flange installation).

电机型号 Type	L5
Y80	240
Y90	330
Y100	365
Y112	380
Y132	485
Y160	630
Y180	690
Y200	735
Y225	835
Y250	940
Y250	1050

**八、订货应提供的数据 Supply the data in ordering**

- |                    |  |
|--------------------|--|
| 1、介质工作温度 T。        | 1. Temperature of the medium T.                  |
| 2、工作温度下介质的粘度 V。    | 2. Viscosity of the medium at the temperature V. |
| 3、泵的进口压力(或真空度) P1。 | 3. Pressure at suction(or suction vacuum) P1.    |
| 4、泵的出口压力 P2。       | 4. Pressure at outlet P2.                        |
| 5、泵的工作流量。          | 5. Delivery.                                     |
| 6、泵的安装形式。          | 6. Design of pump.                               |
| 7、配套要求。            | 7. Driving unit.                                 |